

E Series

2 MP V/F IR Dome Network Camera



Key Features

- 2 MP resolution (1920 × 1080), H.265
- True day / night
- Up to 50 m IR distance
- Digital WDR
- 3D DNR, HLC & BLC
- Dual streams
- Smart codec by ROI
- Built-in MIC
- Onboard Storage
- DC 12 V/PoE power supply
- Intelligent video analytics
- IP67/IK10

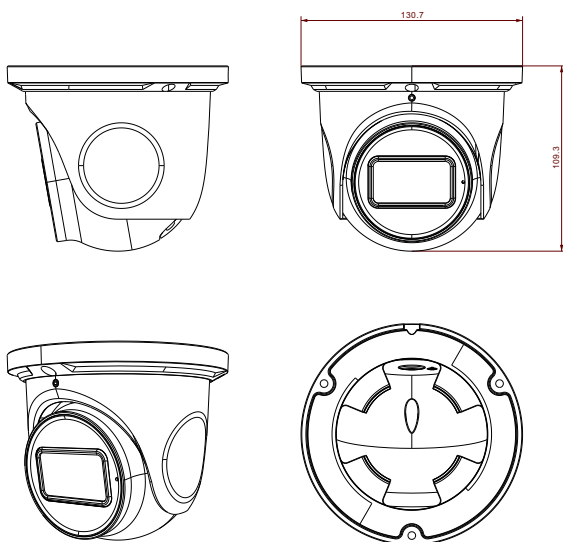
Specification

Camera	
Imager	1/2.8" CMOS
Effective Pixels	1920 × 1080
Min.Illumination	Color: 0.008 lux @ F1.6, AGC ON; B/W: 0 lux with IR
Shutter Speed	1/3 s ~ 1/1000000 s
S/N Ratio	≥50 dB
Angle Adjustment	Pan: 0°~360°, Tilt: 0°~80°, Rotation: 0°~360°
Lens	
Focal Length	2.8 ~ 12 mm @ F1.4
Iris Type	Fixed Iris
Field of View	Horizontal: 101.9° ~ 33°; Vertical: 54.3°~19°
Focus Control	Manual focus
Lens Mount	Φ 14
Video	
Video Compression	H.265+/H.265/H.264+/H.264/MJPEG
H.264 Compression Standard	Base Line/Main Profile/High Profile
H.265 Compression Standard	Main Profile @ Leve4.1 High Tier
Resolution	1080P (1920×1080), 720P (1280×720), D1, CIF
Max.Frame Rate	30fps @ all resolution
Video Bit Rate	128 Kbps ~ 4 Mbps
Multiple Streaming	Dual Streams
Main Stream	60Hz: 1080P/720P (1~30fps); 50Hz: 1080P/720P (1~25fps)
Sub Stream	60Hz: D1/CIF (1~30fps); 50Hz: D1/CIF (1~25fps);
Third Stream	-
Smart Codec	ROI, 8 zones
Bitrate Control	VBR/CBR
Quality Control	Five levels under VBR; Freely adjustable under CBR
Image Setting	ROI, Brightness, Saturation, Chroma, Contrast, Wide Dynamic, Sharpen, NR, etc.

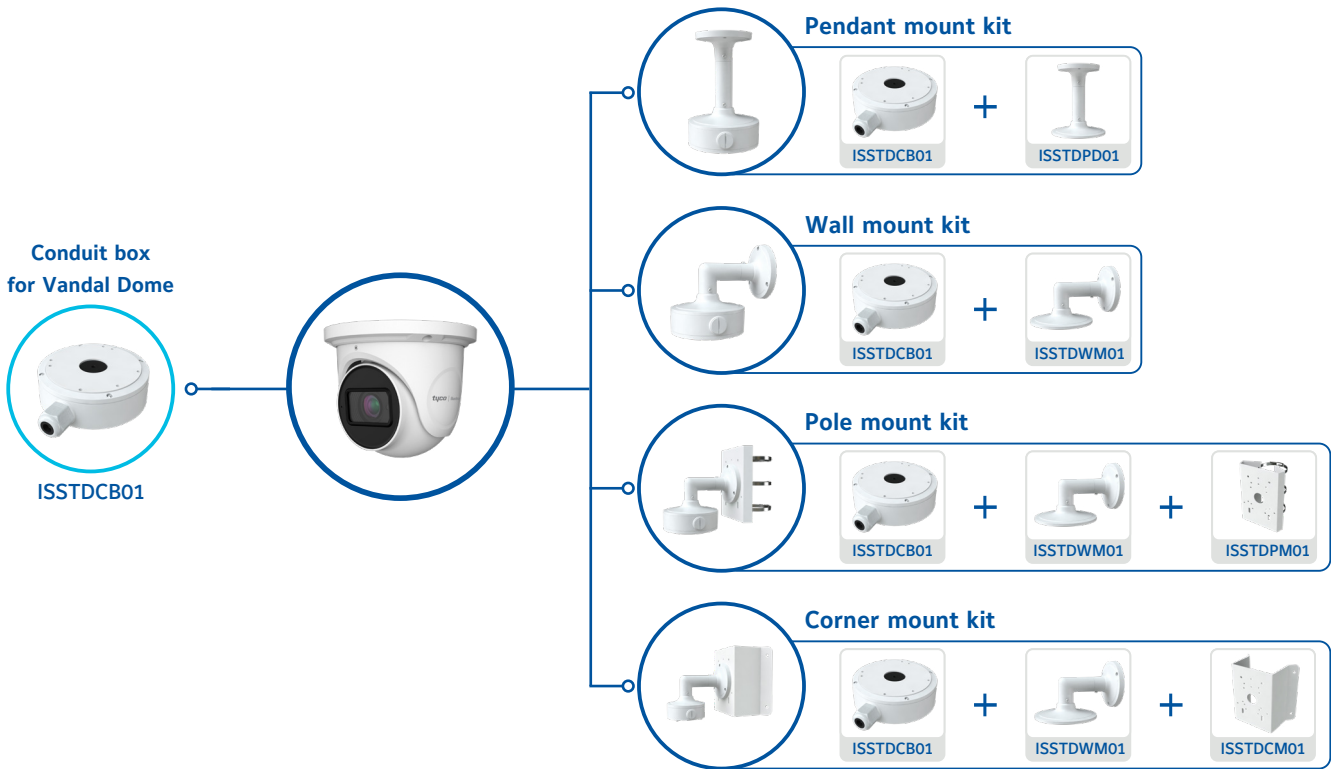
Audio	
Audio Communication	One-way audio
Audio Compression Format	G711 A/U
Audio Bit Rate	128 Kbps
Operational	
Day & Light	IR cut filter with auto switch
Backlight Compensation	Yes
Wide Dynamic Range	Digital WDR
IR Distance	Up to 50 M
Digital Noise Reduction	3D DNR
Digital Zoom	Yes
Defog	-
Corridor Pattern	-
Flip / Mirror	Yes
Video Privacy	4 zones video mask
Intelligent Video Analytics	Object removal (object left/missing detection), Video Exception (scene change, video blur and color cast detection), Region intrusion detection, Line crossing detection
Alarm Triggers	Motion detection, SD card full, SD card error
Edge Storage	Built-in micro SD card slot, up to 256G
Backfilling	Yes
Network	
Network Protocol	UDP, IPv4, IPv6, DHCP, NTP, RTSP, RTP, RTCP, PPPoE, DDNS, SMTP, FTP, 802.1x, SNMP, RTMP, UPnP, HTTP, HTTPS, QoS
Cyber Security	HTTPS/IP Filter/IEEE 802.1X /Blacklist & whitelist/account security/telnet access control/serial password
Online Connection	Support simultaneous monitoring for up to 3 users; Support multi-stream real time transmission
Remote Monitoring	Webviewer browsing, Holis Pro, Holis Lite, ExacqVision, victor
API	ONVIF, HAPI3, iAPI3

Interface	
Network	RJ45
Audio	Line in, Built-in Mic
Video Output	None
Onboard Storage	Built-in micro SD card slot
RS485	None
Alarm	None
Hardware Reset	Support
Environmental	
Operating Temperature	- 30°C ~ 60°C
Operating Humidity	10% ~ 95% relative humidity
Ingress Protection	IP67
Vandal Resistance	IK10
General	
Power Supply	DC 12 V/PoE
Power Consumption	< 7 W
Dimensions (mm)	Φ 130.7 × 109.3
Material	Metals
Weight	Approx. 0.64 kg
Installation	Wall mounting, ceiling mounting
Certification	CE, FCC

Dimensions



Accessories



Ordering Information

Model	Description
ISE-T02V012S-N	H.265 2 MP Manual V/F IR Dome N/W Camera, 2.8-12 mm, 50 M IR, Micro SD, DC 12 V/PoE, IP67, IVA
ISSTDCB01	Conduit box for Vandal Dome
ISSTDPD01	Pendant mount for Standard Dome (use with ISSTDCB01)
ISSTDWM01	Wall mount for Standard Dome (use with ISSTDCB01)
ISSTDPM01	Pole mount for Standard Dome (use with ISSTDWM01 & ISSTDCB01)
ISSTDCM01	Corner mount for Standard Dome (use with ISSTDWM01 & ISSTDCB01)

About Johnson Controls

At Johnson Controls, we transform the environments where people live, work, learn and play. From optimising building performance to improving safety and enhancing comfort, we drive the outcomes that matter most. We deliver our promise in industries such as healthcare, education, data centers, and manufacturing. With a global team of 105,000 experts in more than 150 countries and more than 130 years of innovation, we are the power behind our customers' mission. Our leading portfolio of building technology and solutions includes some of the most trusted names in the industry, such as Tyco®, York®, Metasys®, Ruskin®, Titus®, Frick®, Penn®, Sabroe®, Simplex®, Ansul® and Grinnell®.

For more information, visit www.tyco-apac.com